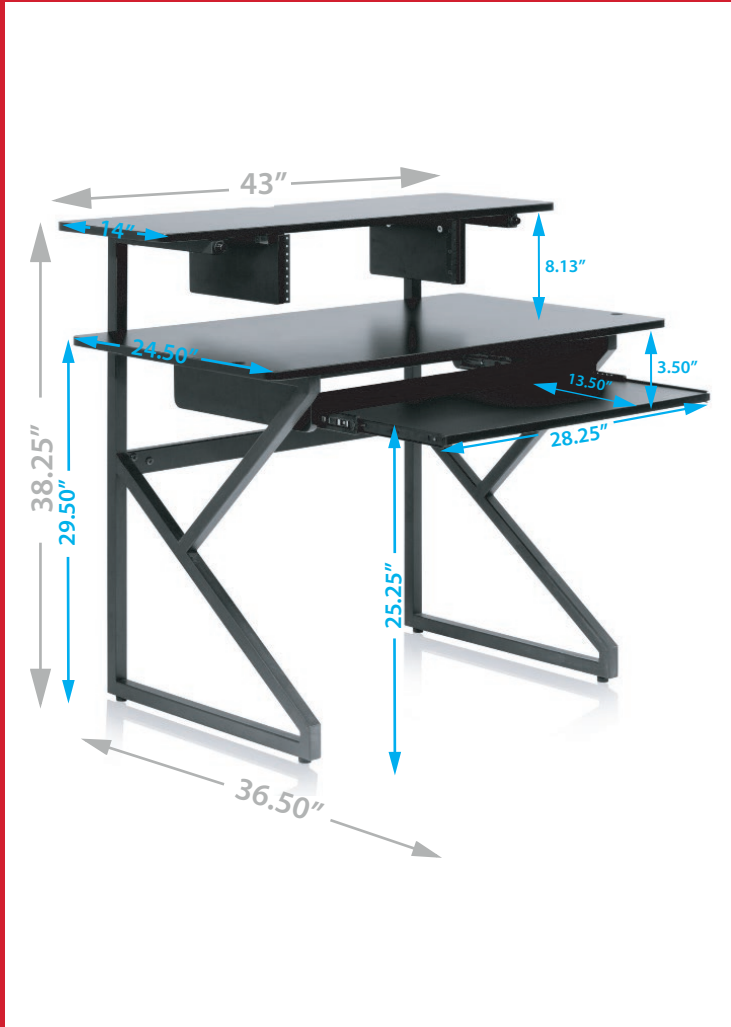


CONTENT CREATOR DESK GFW-DESK-MAIN

GATOR FRAMEWORKS

COPYRIGHT GATOR CO. • ALL RIGHTS RESERVED • 4/2019 • REV.A

PRODUCT DIMENSIONS



FEATURES



// SLIDE-OUT KEYBOARD/ DEVICE TRAY



// 3/8" EU + 5/8" US MICROPHONE MOUNT (x2)



// OPTIONAL 3U RACK UNDER UPPER TABLETOP



// OPTIONAL THRU-TABLE BOOM ARM MOUNTING (x2)

Overall (L x D x H)	43" X 36.50" X 38.25" (1092mm x 927mm x 972mm)
Color/ Finish	Black/Low-Gloss Surface
Materials	Powder-Coated Steel Frame / Laminated Particle Board
Product Weight	53 LBS / 24 KGS (350 LBS Max Capacity; 200 LBS Main Tabletop; 100 LBS Upper Tabletop/Rack; 50 LBS Tray)
Racking Depths	Top 1U Depth = 11"; Lower 2U and 3U Depth = 14"

GATOR FRAMEWORKS IS DEDICATED TO PRODUCING THE HIGHEST QUALITY STANDS AND ACCESSORIES. WE BACK UP THAT COMMITMENT WITH A 3 YEAR WARRANTY ON ANY MANUFACTURING DEFECTS IN MATERIAL AND WORKMANSHIP. THIS WARRANTY APPLIES TO THE ORIGINAL OWNER AND REQUIRES PROOF OF PURCHASE. OUR WARRANTY ENTITLES THE ORIGINAL OWNER REPAIR OR REPLACEMENT OF THE PRODUCT OR REPLACEMENT WITH A COMPARABLE PRODUCT OF SIMILAR VALUE AND CONDITION AT OUR DISCRETION. THIS WARRANTY IS LIMITED TO GATOR FRAMEWORKS PRODUCTS ONLY AND EXCLUDES LOSS OF PERSONAL PROPERTY, LOSS OF USE, ACCIDENTAL DAMAGE, MISUSE, OR NORMAL WEAR AND TEAR.

FOR FULL WARRANTY INFORMATION VISIT

GATORFRAMEWORKS.COM

**GUARD
IT WITH
GATOR™**

5112 W. Linebaugh Ave. • Tampa, FL • Phone: (+1) 813.221.4191 • Fax (+1) 813.221.4181

Visit GatorCases.com for more service & product information • All rights reserved Gator Co.