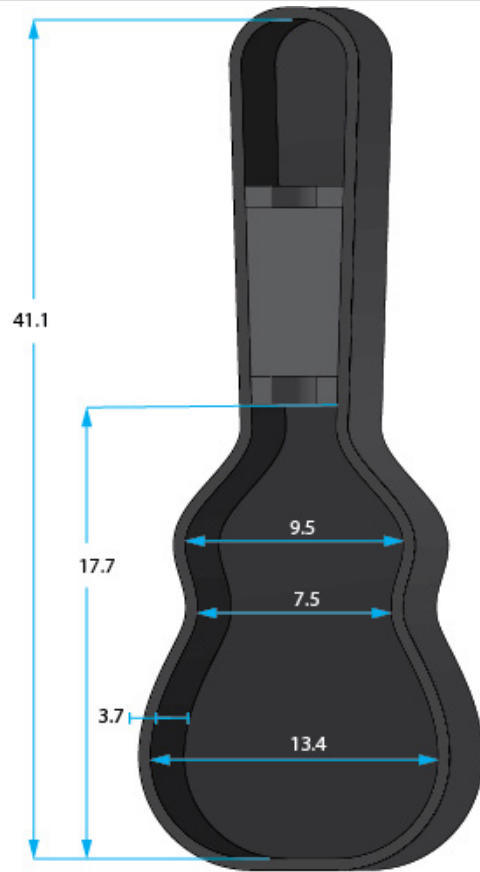


SPECIFICATION SHEET



GWP-LP

* Dimensions Are Measured In Inches With No Interior Foam Compression

Interior Dimensions

BODY HEIGHT: 3.7	UPPER BOUT: 9.5
OVERALL LENGTH: 41.1	WAIST: 7.5
POCKET :21.9 X 3.5 X 1.8(IN)	LOWER BOUT:13.4

Exterior Dimensions

LENGTH:47.2
WIDTH : 17.1
HEIGHT: 6.7
WEIGHT: 21.71



TITAN:

- Water and Dust Proof with IP 67 Certification
- ATA-300 Certification
- Impact Proof Lightweight NK-7 Resin
- Pad-Lockable
- Mil-STD-810F Immersion Test Certified
- Built-In Wheelsand Tow-Handle