

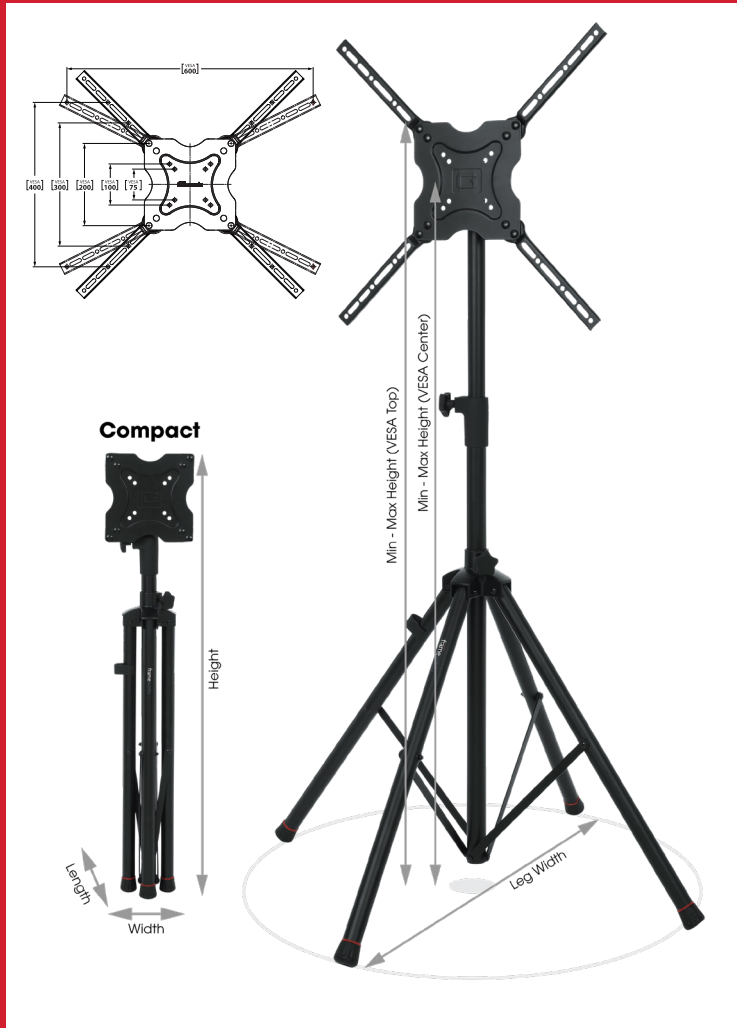
DELUXE QUADPOD LCD/LED STAND WITH PISTON

GFW-AV-LCD-25

GATOR
frameworks

COPYRIGHT GATOR CO. • ALL RIGHTS RESERVED • 6/2019 • REV.A

PRODUCT DIMENSIONS



FEATURES



// UNIVERSAL VESA MOUNT



// GAS ASSIST PISTON WITH BRAKE



// CORD KEEPER



// COLLAPSIBLE LEG DESIGN

Compact Overall (H x W x L)	46.3" x 8.8" x 4.9" (1175x224x125mm)	
Min-Max Height	43.3" - 71" (1100-1800mm) center of vesa mount	47" - 76" (1190-1930mm) to top of vesa mount
VESA Fitment	75 x 75 - 400 x 600	
Min-Max Leg Width	4.75" - 57.8" (120-1470mm), Recommended: 36" (915mm)	
Tube Material	Steel Tubing with Metal Housing	
Color/ Finish	Black Powder-Coated	
Product Weight	19.6 lbs (8.9kg)	
Max Weight Capacity	100 lbs (45kg)	

GATOR FRAMEWORKS IS DEDICATED TO PRODUCING THE HIGHEST QUALITY STANDS AND ACCESSORIES. WE BACK UP THAT COMMITMENT WITH A 3 YEAR WARRANTY ON ANY MANUFACTURING DEFECTS IN MATERIAL AND WORKMANSHIP. THIS WARRANTY APPLIES TO THE ORIGINAL OWNER AND REQUIRES PROOF OF PURCHASE. OUR WARRANTY ENTITLES THE ORIGINAL OWNER REPAIR OR REPLACEMENT OF THE PRODUCT OR REPLACEMENT WITH A COMPARABLE PRODUCT OF SIMILAR VALUE AND CONDITION AT OUR DISCRETION. THIS WARRANTY IS LIMITED TO GATOR FRAMEWORKS PRODUCTS ONLY AND EXCLUDES LOSS OF PERSONAL PROPERTY, LOSS OF USE, ACCIDENTAL DAMAGE, MISUSE, OR NORMAL WEAR AND TEAR.

FOR FULL WARRANTY INFORMATION VISIT

GATORFRAMEWORKS.COM



5112 W. Linebaugh Ave. • Tampa, FL • Phone: (+1) 813.221.4191 • Fax (+1) 813.221.4181

Visit GatorCases.com for more service & product information • All rights reserved Gator Co.